

Cooperation reduces manufacturing development time by 50%

- Autodesk Inventor Professional
- iConfigure

To help customers deliver design projects more efficiently, KKMSoft, using Autodesk® Inventor®, developed iConfigure. This external rules-based Configurator can automate 70% of the standard designs that currently exist in the product design portfolio of mass customization manufacturing companies.

Built on Autodesk Inventor—the industry's leading 3D digital prototyping solution—iConfigure automates 90% of the design process. User-friendly input screens revolutionize the drawing creation process from marketing to manufacturing, reducing the need for a skilled development team.

With an open-ended customizable and scalable methodology that allows modifications or expansions of existing product development systems or workflows, custom configured parts and assemblies reduce proposal and production drawing generation time by 90%.

By capturing design knowledge into logical product configurations and utilizing a product-focused user interface, iConfigure reduces skill dependence for drawing generation. As a result, drawing productivity improves 10-fold, leading to scalability of output without the increase of valuable resources.

Preferred Industry Partner Relationship

Autodesk is committed to providing the most comprehensive design solutions in the industry. Autodesk has built strong relationships with global software innovators who are leading the way in developing tailored solutions for Autodesk customers. The Autodesk Preferred Industry Partner program helps customers find companies, with best in class applications and services for their specific design software needs.

Preferred Industry Partner products are built on Autodesk application programming interfaces (APIs) and meet rigorous functional, performance, and quality guidelines. Autodesk works closely with its Preferred Industry Partners to combine the resources, ideas, and creative thinking of these trailblazing companies, keeping Autodesk products and solutions on the leading edge of performance and value.

About Autodesk

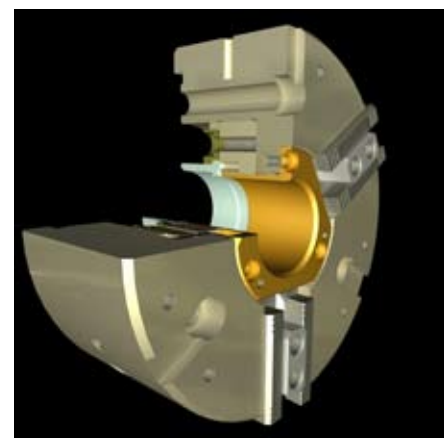
Autodesk, Inc. is the world leader in 2D and 3D design software for the manufacturing, building and construction, and media and entertainment markets. Since its introduction of AutoCAD® in 1982, Autodesk has developed the broadest portfolio of state-of-the-art digital prototyping solutions to help customers experience their ideas before they are real. Fortune 1000 companies rely on Autodesk for the tools to visualize, simulate, and analyze real-world performance early in the design process to save time and money, enhance quality, and foster innovation.

About KKMSoft

KKMSoft provides custom built solutions on top of industry proven Autodesk solutions to capture the knowledge and skills of your valuable design processes. As a leading mechanical solution provider to Autodesk since 1998, with experience and knowledge gained from over 2,000 customers, KKMSoft has developed unique product customization tools and ETO automation products like iConfigure.

For more information, visit:

www.autodesk.com
www.autodesk.com/inventor
www.kkmssoft.com



“iConfigure has revolutionized the drawing creation process through simple user friendly input screens. In the process we could not only de-skill the drafting job and get error free output, but also phenomenal reduction in time.”

—R. B. Satish Kumar
 President
 Flowsolve Sanmar Limited

Autodesk®
 Preferred Industry Partner
 Autodesk® Inventor®

