

Experience your design
before it's built.

**Autodesk®
Inventor™**

Suite



Autodesk®

Make Digital Prototyping Your Competitive Advantage

In today's global market, as manufacturers work to reduce design cycles and cost margins, industry experts are championing Digital Prototyping as a way to cost-effectively validate design ideas and accelerate the development of competitive products.

Facing these issues?

- Product design teams need to increase innovation in existing and new designs while reducing the time required to bring them to market.
- Designers are interested in the benefits of Digital Prototyping but worried about losing investments in existing DWG™ design data.
- Rapid creation of production-ready drawings is required for downstream users.
- Designers are unable to easily find and reuse designs.
- Designers need to optimize product performance and make accurate design decisions without building physical prototypes.
- Piping and wiring designs take too long to develop.

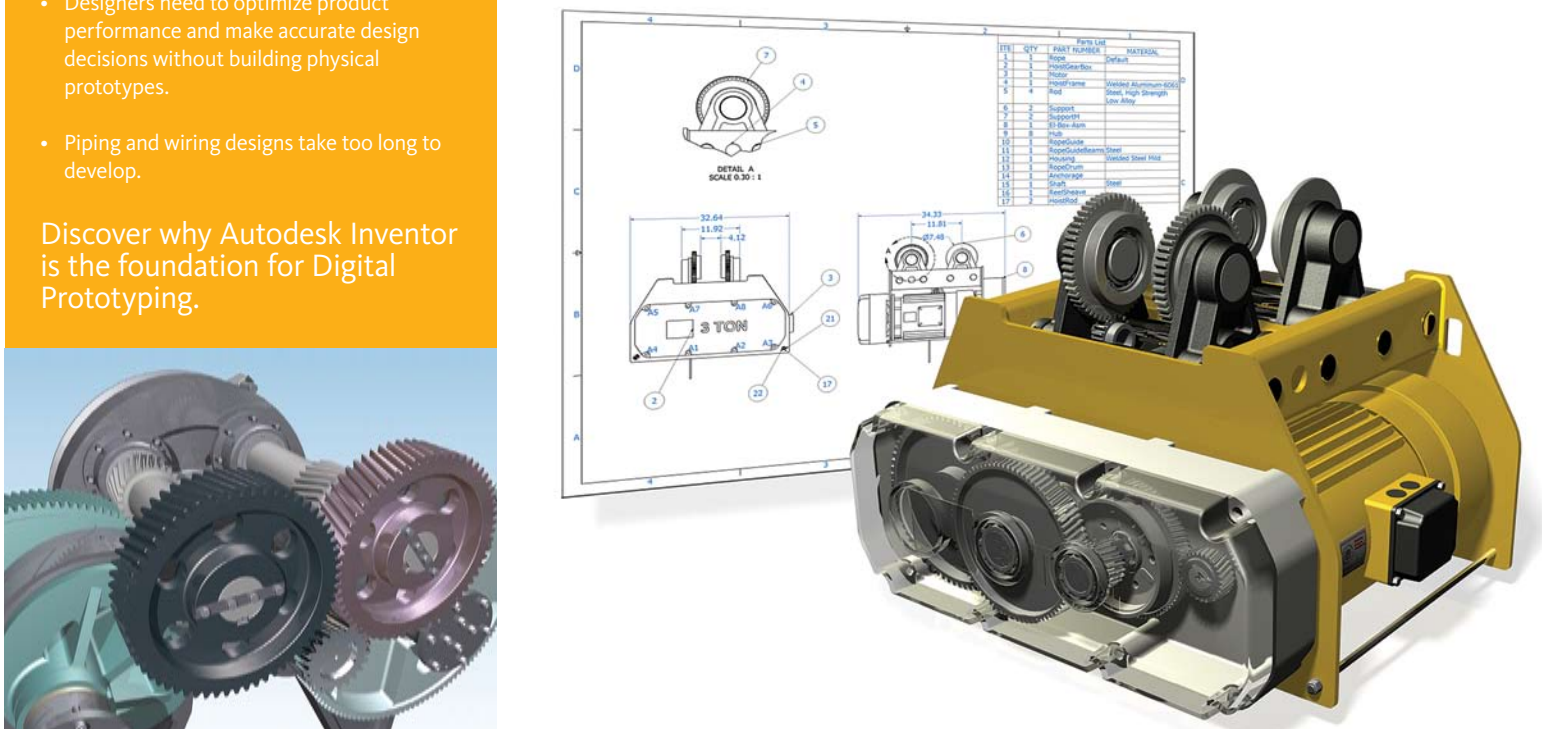
Discover why Autodesk Inventor is the foundation for Digital Prototyping.

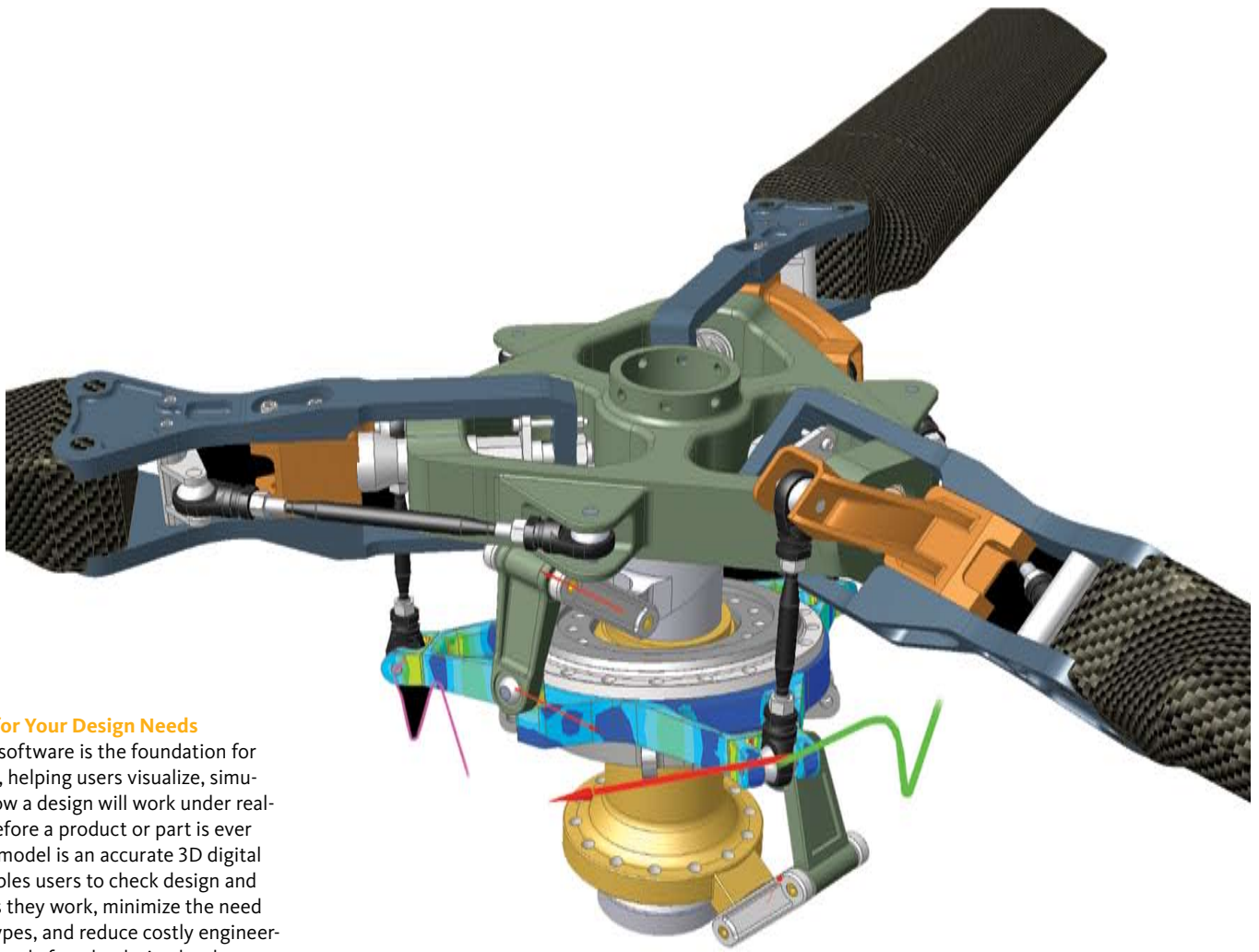
Autodesk® Inventor™ software provides a comprehensive set of design tools for producing, validating, and documenting complete digital prototypes—helping manufacturers get to market faster with fewer physical prototypes and more innovative products.

Autodesk Inventor is redefining traditional CAD workflows by helping engineers focus on the functional requirements of a design to drive the creation of complex 3D geometry. Reducing the time spent on geometry allows engineers to spend more time innovating designs. By rapidly building digital prototypes that validate a design's function, engineers can catch errors before they reach production. With creative approaches to accelerate and simplify the concept-to-manufacturing process, Inventor has outsold all competitors for the seventh consecutive year.

The Right Tools for Your Design Process

Inventor helps designers realize the benefits of Digital Prototyping by giving them the freedom to reuse their existing DWG designs in a 3D design environment. Inventor lets users read and write native DWG files without risking inaccurate translations, and leverage valuable DWG data to build accurate 3D part models the first time. Inventor includes tools to easily create and document 3D designs and provides unparalleled interoperability with competitive manufacturing applications—simplifying collaboration with other companies.





Specialized Tools for Your Design Needs

Autodesk Inventor software is the foundation for Digital Prototyping, helping users visualize, simulate, and analyze how a design will work under real-world conditions before a product or part is ever built. The Inventor model is an accurate 3D digital prototype that enables users to check design and engineering data as they work, minimize the need for physical prototypes, and reduce costly engineering changes discovered after the design has been sent to manufacturing.

Autodesk Inventor software products combine an intuitive 3D design environment for creating parts and assemblies with functional design tools that enable engineers to focus on a design's function to drive the automatic creation of intelligent components such as steel frames, rotating machinery, tube and pipe runs, and electrical cable and wire harnesses.

Validating the operating characteristics of designs before they are built usually requires hiring expensive consultants. The Inventor product line includes easy-to-use and tightly integrated motion simulation and stress analysis functionality, making it possible for any engineer to optimize and validate the digital prototype to predict how the design will work under real-world conditions, before the product or part is ever built.

Inventor offers rapid and accurate output of production-ready drawings directly from the 3D model. Generating manufacturing documentation from a validated 3D digital prototype helps reduce errors and associated ECOs (engineering change orders) before manufacturing. Inventor also includes AutoCAD® Mechanical for situations that require a high-productivity 2D mechanical drafting tool.

Inventor is tightly integrated with Autodesk Data Management applications, enabling the efficient and secure exchange of design data and promoting earlier collaboration between design and manufacturing workgroups. Different workgroups can manage and track all components of a digital prototype with the free* Autodesk® Design Review software—the all-digital way to view, measure, mark up, and track changes to designs—allowing for better reuse of crucial design data, management of bills of materials, and collaboration with other teams and partners.

With different product configurations that offer specific levels of functionality, no company is more focused than Autodesk on helping designers create accurate digital prototypes and bring better products to market faster at less cost.



Digital Prototyping for the Manufacturing Market

Autodesk is a world-leading supplier of engineering software, providing companies with tools to experience their ideas before they are real. By putting powerful Digital Prototyping technology within the reach of mainstream manufacturers, Autodesk is changing the way manufacturers think about their design processes and is helping them create more productive workflows. The Autodesk approach to Digital Prototyping is unique in that it is scalable, attainable, and cost-effective, which allows a broader group of manufacturers to realize the benefits with minimal disruption to existing workflows, and provides the most straightforward path to creating and maintaining a single digital model in a multidisciplinary engineering environment.

Learn More or Purchase

Access specialists worldwide who can provide product expertise, a deep understanding of your industry, and value that extends beyond your software purchase. To purchase Autodesk® Inventor™ contact an Autodesk Premier Solutions Provider or Autodesk Authorized Reseller. To locate the reseller nearest you, visit www.autodesk.com/reseller.

Discover why Autodesk Inventor software is the best choice for manufacturing companies. To learn more about Autodesk Inventor, visit www.autodesk.com/inventor.

Autodesk Services and Support

Accelerate return on investment and optimize productivity with innovative purchase methods, companion products, consulting services, support, and training from Autodesk and Autodesk authorized partners. Designed to get you up to speed and keep you ahead of the competition, these tools help you make the most of your software purchase—no matter what industry you are in. To learn more, visit www.autodesk.com/servicesandsupport.

Autodesk Subscription

Get the benefits of increased productivity, predictable budgeting, and simplified license management with Autodesk Subscription. You get any new upgrades of your Autodesk software and any incremental product enhancements, if these are released during your subscription term, and you get exclusive license terms available only to subscription members. A range of community resources, including web support direct from Autodesk technical experts, self-paced training, and e-Learning, help extend your skills and make Autodesk Subscription the best way to optimize your investment. To learn more, visit www.autodesk.com/subscription.

*Free products are subject to the terms and conditions of the end-user license agreement that accompanies download of the software.

Cement grinder image courtesy of HTC Sweden AB Professional Floor Systems

Autodesk is committed to sustainability. This brochure is printed on 25 percent postconsumer waste recycled paper.

Autodesk, AutoCAD, Autodesk Inventor, DWG, and Inventor are registered trademarks or trademarks of Autodesk, Inc., in the USA and/or other countries. All other brand names, product names, or trademarks belong to their respective holders. Autodesk reserves the right to alter product offerings and specifications at any time without notice, and is not responsible for typographical or graphical errors that may appear in this document.
© 2008 Autodesk, Inc. All rights reserved. BR0A1-000000-MZ11