

# Top Reasons to Use AutoCAD® for Mac® Software

## Take Design Further

Design and shape the world around you with AutoCAD® for Mac® software. Explore your ideas, speed documentation, and share data seamlessly with anyone in the industry. With AutoCAD® for Mac® software, you have the ability to go big with bold designs. Experience the power, flexibility, and precision of AutoCAD software on the platform of your choice.

## Now Is the Time

For more information about AutoCAD for Mac, go to [www.autodesk.com/autocadformac](http://www.autodesk.com/autocadformac).

### > Work Natively

Get the robust 3D free-form design tools and powerful drafting capabilities you expect from AutoCAD® software in an intuitive Mac® interface. AutoCAD for Mac software takes full advantage of the Mac OS® X platform—the intuitive, graphical user interface makes it easier to bring your ideas to life. Experience the familiar Mac environment as you draw and manage layouts using controls that work like you think. Pan and zoom with Multi-Touch gestures and find your designs quickly by using Cover Flow navigation to flip through graphical previews of your files.

### > Design in 3D

Explore your design ideas with easy to use tools that help you transform concepts into reality. Simply push and pull faces, edges, and vertices to model complex shapes. Refine mesh surfaces and create high-precision NURBS curves and surfaces to actualize anything you can imagine. Preview surfaces and solids as you create them—in real time.

### > Skip Rework

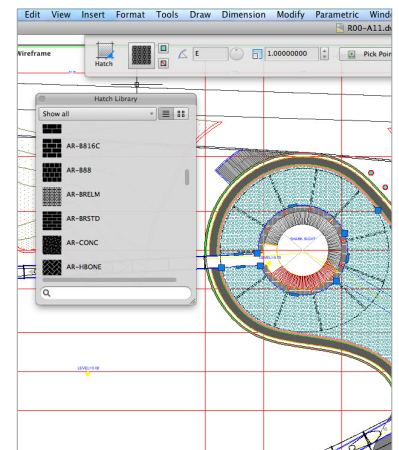
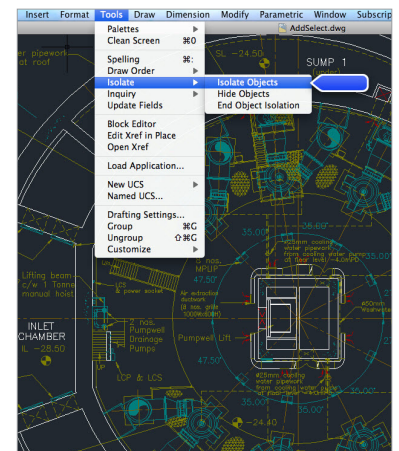
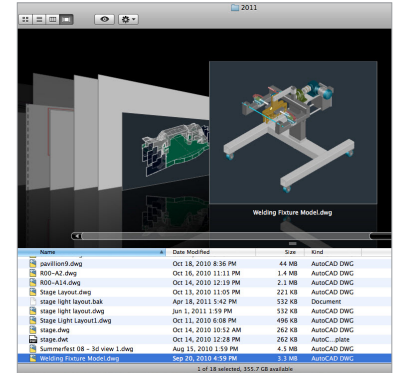
Because it's AutoCAD software, you're working natively in DWG™, one of the world's most common file formats. Share files easily and confidently with clients, suppliers, and partners around the world, regardless of platform. Avoid the complications of messy translators and hours wasted cleaning up converted data. With AutoCAD for Mac software, you get right into your design. And with 100 percent DWG compatibility, files created in previous versions of AutoCAD and AutoCAD for Mac will open seamlessly.

### > Boost Productivity

AutoCAD for Mac software automates many time-consuming tasks. Auto-complete options help you access commands more efficiently and the power of multi-functional grips extends to most AutoCAD objects, including lines, arcs, dimensions, and mleaders as well as 3D faces, edges and vertices. Plus, the external reference (xref) visor puts the tools you need to work with xrefs at your fingertips. When you modify elements in one file, they are easily updated in all related design files. Go ahead and divvy up large project components and work on them simultaneously to maximize efficiency.

### > Visualize Ideas

AutoCAD for Mac software transforms your designs into images that convey the beauty and nuances of your design. Powerful rendering tools let you choose from hundreds of materials, apply photometric lighting, and control the display to create highly accurate, photorealistic images.



### > Speed Documentation

Boost efficiency using the powerful documentation tools in AutoCAD for Mac software. Reduce rework by creating relationships between arrayed objects, such as windows on a building or trusses on a bridge. The automation, management, and editing tools in AutoCAD for Mac software help you reduce repetitive tasks and drive projects from concept to completion more efficiently.

### > Slash Revision Time with Parametric Drawing

Define persistent object relationships and your design adjusts automatically as you draw—parallel lines stay parallel, concentric circles stay centered. AutoCAD for Mac software lets you infer both geometric and dimensional constraints in real-time, so you can handle revision requests with less hassle.

### > Make the Software Uniquely Yours

Customizing AutoCAD for Mac software to meet your specific needs can be easier than you think. Configure settings, extend the software, and build custom workflows. You can even create specialized design and drafting applications—such as industry-specific software or add-on applications from partner developers. Or use AutoCAD for Mac software as an interface for other applications. There's no need to choose between flexibility and power—with AutoCAD for Mac, you can get both.

### > Ease Your Learning Curve

If you're a long-time AutoCAD expert, you'll feel at home with AutoCAD for Mac software—the commands and tools you use everyday work here too. And if you haven't used AutoCAD software in years, don't worry. The intuitive interface and context-sensitive help function in AutoCAD for Mac can help smooth out your learning curve. Regardless of your background, you can spend less time on the software and more time on the design.

### > Simplify License Management

AutoCAD for Mac software offers a choice of licensing options, including network licensing. It helps simplify software asset management and gives you more flexibility in maximizing the software across your geographically dispersed teams.

