

Add the power of 3D to your 2D workflow - at your own pace.

AutoCAD  
Inventor  
Suite

# Start Adding 3D at Your Own Pace

The AutoCAD® Inventor LT™ Suite delivers Autodesk® Inventor LT™ and AutoCAD LT® software together at a remarkable value. Boost your 2D productivity and add the power of 3D at your own pace.

## Facing these issues?

- Need to communicate in 2D and 3D with customers and suppliers
- Too many design errors and lengthy design cycle times
- Need to rapidly create production ready 2D drawings
- Don't have adequate design power for complex part design
- Want to add the benefits of 3D without losing existing 2D design data
- Worried about making the right choice for current and future software needs

Learn how the AutoCAD Inventor LT Suite offers a cost-effective and practical way to introduce 3D mechanical design into your AutoCAD workflow—at the pace that's right for you.

[www.autodesk.com/acadinventorltsuite](http://www.autodesk.com/acadinventorltsuite)

### AutoCAD LT

AutoCAD LT 2D drafting and detailing software is the professional choice for productivity, reliability, and compatibility.

### Document

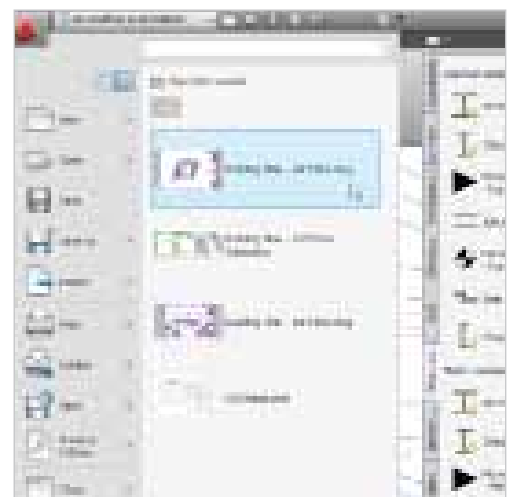
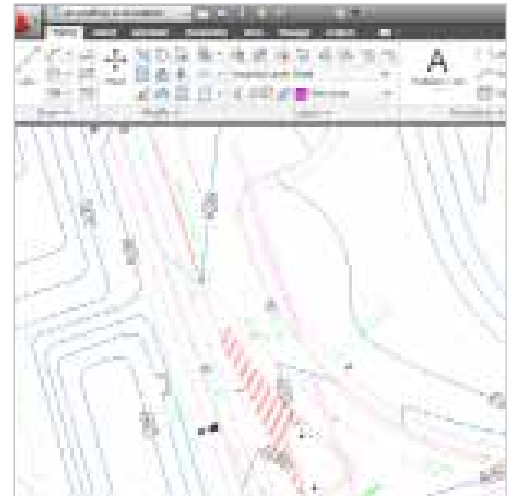
Extend your competitive advantage by using industry-standard AutoCAD LT software for 2D drafting and detailing. Use a complete set of 2D drafting and detailing tools to produce precise technical drawings—accurately and efficiently. Create simple or complex drawings from standard shapes such as lines, arcs, and circles. Modify existing geometry with commands such as stretch, copy, rotate, and scale. Add annotations—including text, dimensions, and tables—to help convey your ideas.

### Collaborate

Create drawings in the genuine DWG™ file format for enhanced stability and compatibility when communicating with clients and colleagues. Work easily and effectively with clients and colleagues. Reuse data and create richer documents by referencing external information from colleagues or clients—such as DWG files, JPG and TIF images, Microsoft® Excel® spreadsheets, and DWF™ and PDF underlays in your drawings.

### Optimize

Improve efficiency by making AutoCAD LT work the way you do with a variety of user interface options. AutoCAD LT is designed with one goal in mind: increasing your productivity. Each release of AutoCAD LT strives to include feature enhancements and additions that introduce new ways to promote drafting efficiency.



### Autodesk Inventor LT

Autodesk Inventor LT software allows you to adopt 3D mechanical part design—at the pace that’s right for you.

### Reuse AutoCAD LT Data to Design in 3D

Seamless DWG interoperability lets you simply copy and paste your existing 2D design data into Inventor LT as an accurate starting point for your new 3D designs. Inventor LT software allows you to leverage your AutoCAD® expertise and your investments in 2D design data. AutoCAD Inventor LT Suite lets you choose the right tool for the job.

### Design Parts Faster and Better in 3D

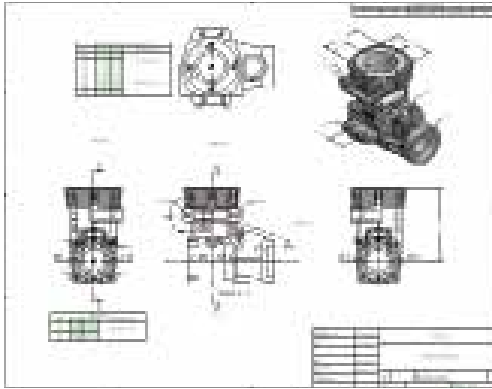
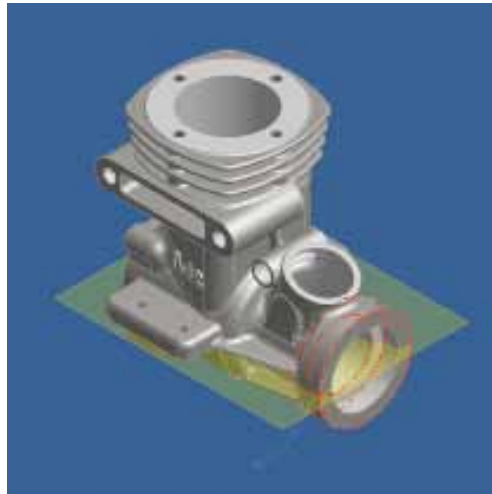
With powerful part-level parametric modeling, Autodesk Inventor LT delivers the capabilities you need to design mechanical parts in 3D. Use it to design even complex parts more quickly. Modeling your parts in 3D with Inventor LT enables you to create production-ready drawings faster than manually drafting them in 2D. With Autodesk Inventor LT, you can quickly generate production-ready drawings that automatically update whenever the 3D part model changes. And since the AutoCAD Inventor LT Suite includes AutoCAD LT, you can use familiar 2D tools to make quick changes to DWG drawings.

### Share 2D and 3D Data

In today’s competitive marketplace, 3D is a necessity. Manufacturers need to accept and provide 3D models as well as 2D drawings. It allows you to easily share 2D and 3D design data with customers and suppliers—without relying on expensive file translation software. Import, create, modify, and export 3D part models in common file formats to streamline communication with your extended supply chain.

### Together at a Remarkable Value

With the AutoCAD Inventor LT Suite, you can add the power of 3D to your 2D workflow, and begin participating in Digital Prototyping workflows with the rest of the manufacturing world. The result—you can compete more effectively today while putting your organization on a scalable path to the full power of Inventor and Digital Prototyping in the future.



## Top 5 Reasons to Move from AutoCAD LT to the AutoCAD Inventor LT Suite

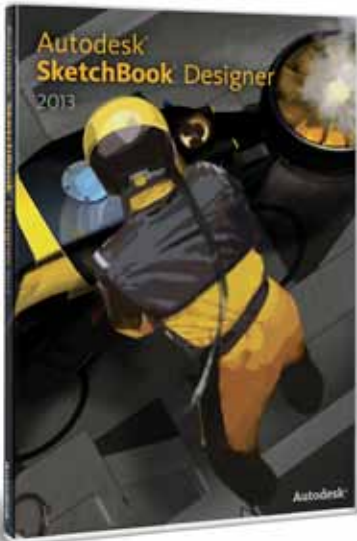
1. Design parts faster and better using 3D
2. Create and update production DWG drawings faster
3. Work with 3D data from customers and suppliers
4. Reuse your AutoCAD LT data to start designing in 3D
5. Boost your 2D productivity with the latest version of AutoCAD LT

For more details, visit [www.autodesk.com/acadinventorltsuite](http://www.autodesk.com/acadinventorltsuite).

3D is here to stay. Start enjoying the benefits of designing in 3D today. By delivering AutoCAD LT® and Inventor LT™ software together at a remarkable value, the AutoCAD Inventor LT Suite offers a cost-effective and practical way to introduce 3D mechanical design into your AutoCAD workflow —at the pace that's right for you.

With the part-level capabilities of Autodesk Inventor, Inventor LT lets you start adding the power of 3D and participate in Digital Prototyping workflows with the rest of the manufacturing world. The result – you can compete more effectively today while putting your organization on a scalable path to the full power of Inventor and Digital Prototyping in the future.

## Additional products included with AutoCAD Inventor LT Suite



### SketchBook Designer

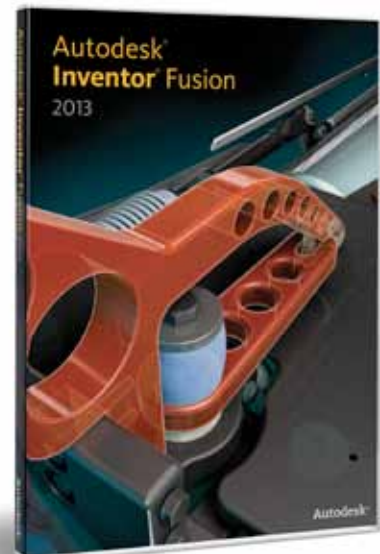
Explore design concepts and produce stunning artwork with Autodesk® SketchBook® Designer illustration software. In addition to the professional-quality sketching capabilities that people have come to expect from Autodesk SketchBook software, SketchBook Designer enables professional designers and artists to use a hybrid paint and vector workflow for concept design illustration and graphic design. Within its intuitive creative environment, even new users can be productive in minutes.

SketchBook Designer is especially helpful for:

- Quickly expressing concept ideas
- Creating professional-quality design illustrations
- Manipulating and compositing images to quickly create variations when ideating, or live iteration during concept reviews

### Autodesk Inventor Fusion

Autodesk® Inventor® Fusion is 3D modeling software that showcases intuitive direct manipulation capabilities for unrivaled ease of use. By uniting direct modeling and parametric workflows, Inventor Fusion offers the best of both worlds. Designers can freely explore complex shapes and forms while maintaining the underlying parametric history. Inventor Fusion makes it easy to open and edit 3D models from almost any source and incorporate them into your design.



# Digital Prototyping for the Manufacturing Market

Autodesk is a world-leading supplier of engineering software, providing companies with tools to experience their ideas before they are real. By putting powerful Digital Prototyping technology within the reach of mainstream manufacturers, Autodesk is changing the way manufacturers think about their design processes and is helping them create more productive workflows. The Autodesk approach to Digital Prototyping is unique in that it is scalable, attainable, and cost-effective, which allows a broader group of manufacturers to realize the benefits with minimal disruption to existing workflows, and provides the most straightforward path to creating and maintaining a single digital model in a multidisciplinary engineering environment.

## Learn More or Purchase

Access specialists worldwide who can provide product expertise, a deep understanding of your industry, and value that extends beyond your software. To license Autodesk Inventor software, contact an Autodesk Authorized Reseller. Locate a reseller near you at [www.autodesk.com/reseller](http://www.autodesk.com/reseller).

## Autodesk Education

Autodesk offers students and educators a variety of resources to help ensure that students are prepared for successful design careers. Educators can access design software, curricula, and teaching resources, while students can access free\* software, training videos, design competitions, and career resources. Anyone can get expert guidance at an Autodesk Authorized Training Center (ATC<sup>®</sup>) site, and validate skills with Autodesk Certification. Learn more at [www.autodesk.com/education](http://www.autodesk.com/education).

## Autodesk Subscription

Subscribe to Autodesk Inventor. Autodesk<sup>®</sup> Subscription gives you an advantage with powerful cloud-based services, upgrades to the latest software releases, online technical support, and flexible licensing privileges.\*\* Learn more at [www.autodesk.com/subscription](http://www.autodesk.com/subscription).

\*Free products are subject to the terms and conditions of the end-user license agreement that accompanies download of this software.

\*\*All Subscription benefits are not available for all products in all geographies. Please consult your Autodesk reseller or sales representative for more information.

Image courtesy of Brimrock Group Inc. and Mechanix Design Solutions Inc.

Autodesk, AutoCAD, ATC, Autodesk Inventor, DWG, Inventor, Moldflow, and Revit are registered trademarks or trademarks of Autodesk, Inc., and/or its subsidiaries and/or affiliates in the USA and/or other countries. All other brand names, product names, or trademarks belong to their respective holders. Autodesk reserves the right to alter product and services offerings, and specifications and pricing at any time without notice, and is not responsible for typographical or graphical errors that may appear in this document. © 2012 Autodesk, Inc. All rights reserved.